



MINING INDUSTRY

MARTIN PRODUCTS FOR THE MINING INDUSTRY

L3923



MARTIN ENGINEERING OFFERS THE PRODUCTS AND SERVICES NEEDED FOR ALL SURFACE AND UNDERGROUND MINING.

When you must move tons of ore to yield only pounds or even ounces of refined material, the efficiency of the material handling system is the key to success. Martin Engineering products and services improve the handling of raw, crushed or processed ore through mine and mill.

From the gold mines in Peru to lignite mines in Europe, or the iron ore mines in Canada to the underground coal mines in Norway, we serve every mining industry in every region of the world.

And behind our great products are great people. Our Global Team of experts work together to produce and manufacture high quality products that deserve the Martin seal of approval. Our service technicians average 27 years of experience in bulk material handling. Our product engineers and development team work side by side with our sales and service leaders to share innovative ideas within our corporate community around the globe and to help facilitate the development of new products that help our mining customers succeed.

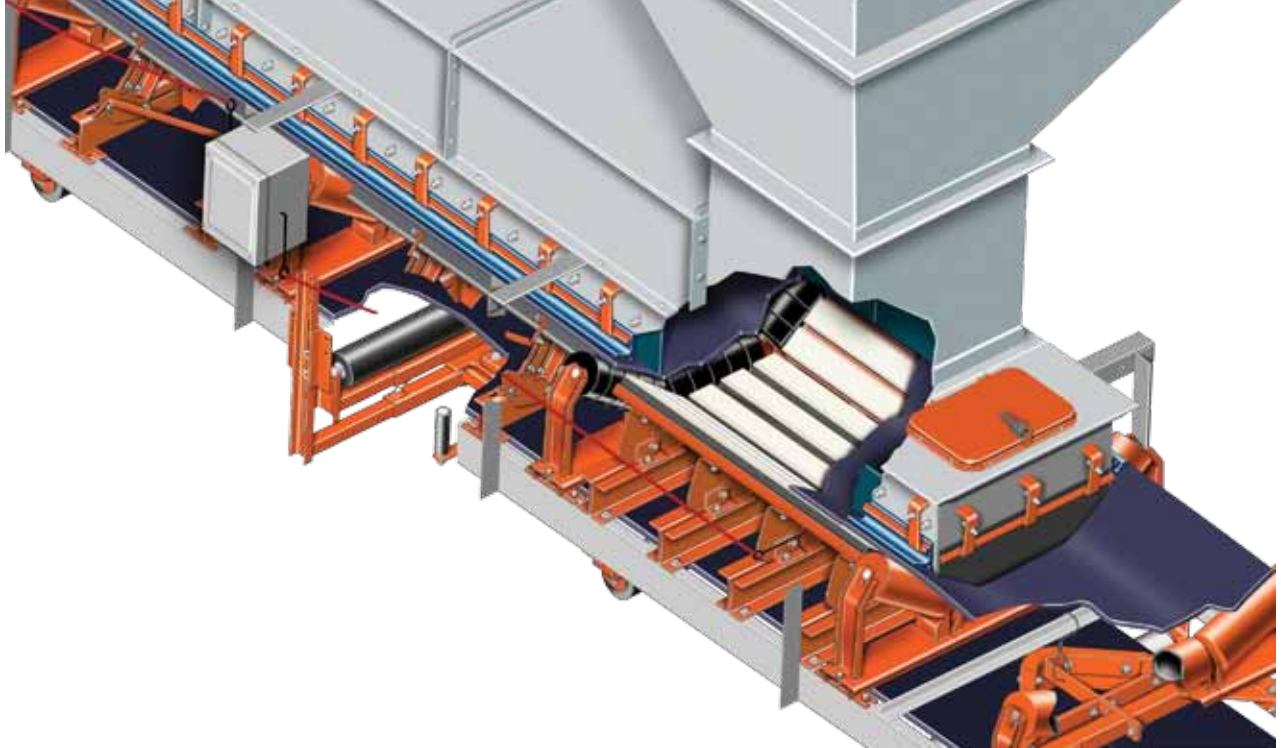


This experience and expertise makes Martin Engineering the leader in bulk material handling solutions. We have the expertise to make your mining operations as efficient and productive as possible.

Miners are always looking for ways to enhance site safety, reduce costs, improve profitability and boost efficiency. Safety is a key priority for our customers. It's a priority to us too. We integrate our products with safety features to keep people safe when using them or servicing them, which is why safety has been designed into our products and solutions since 1944.

Transfer Point and Dust Management Products	4
Belt Cleaners	6
Flow Aids	8
Services	10





TRANSFER POINT PRODUCTS

The loading zone is critical to the successful operation of any mining belt conveyor. Martin Transfer Point Technology includes low-maintenance skirtboard sealing systems, rugged impact cradles to absorb loading zone energy, slider cradles to stabilize the conveyor's

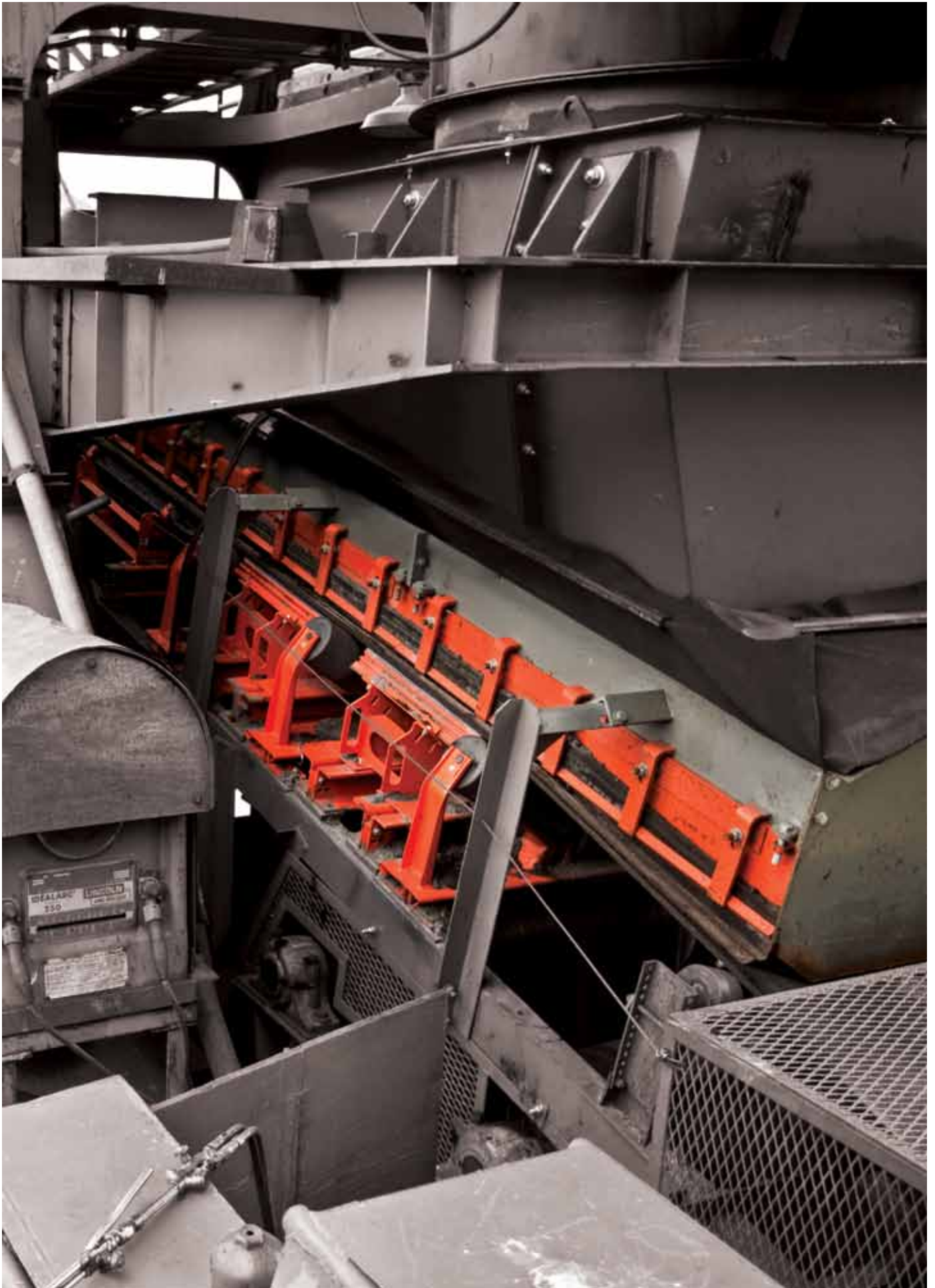
Martin Transfer Point Products upgrade belt conveyors by eliminating dust and spillage, reducing maintenance, extending component life and improving conveyor performance.

path, tracking devices to steer the belt to the proper line and sealing systems to minimize dust and material loss. Martin also offers transfer point design and installation to optimize conveyor performance.

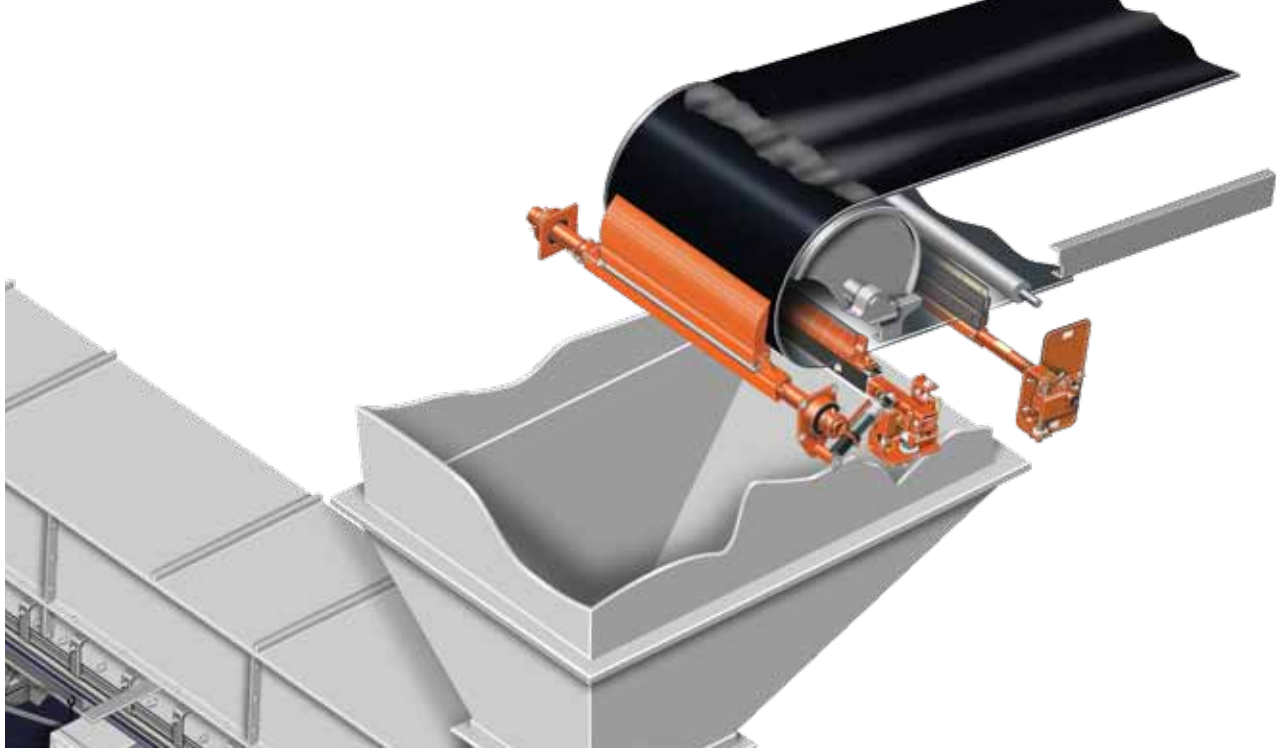
Martin Engineering provides a wide variety of safety products and accessories for protecting workers from hazards and risks. Additionally, our EVO transfer point products are track-mounted to simplify installation and maintenance, improving worker safety and efficiency.

Martin can also help you control airborne dust to improve regulatory compliance, working conditions and community relations. Our Dust Fighter™ products solve the problem of airborne dust by keeping fine particles in the load or by returning them to the main material body. Our Dust Fighter™ products include systems for dust suppression.





▲ Martin Transfer Point Products stabilize the belt line and prevent spillage, while keeping the conveyor belt aligned.



BELT CLEANERS

To prevent carryback and the expensive problems it can cause, Martin offers the most comprehensive line of belt cleaners, incorporating patented designs and industry-leading materials. Many of our primary cleaners are specifically designed for challenging applications like mining, and are tough enough for harsh conditions without compromise or overkill.

For wider, high tonnage belts, our QC™ (Quick Change) line incorporates a rugged belt cleaner blade and sturdy mainframe.

Martin Belt Cleaners prevent carryback and the many expensive problems it causes.

These belt cleaners are designed for rugged conditions, and feature a one-pin blade change, making replacement of a worn blade a one-minute, no-tool procedure.

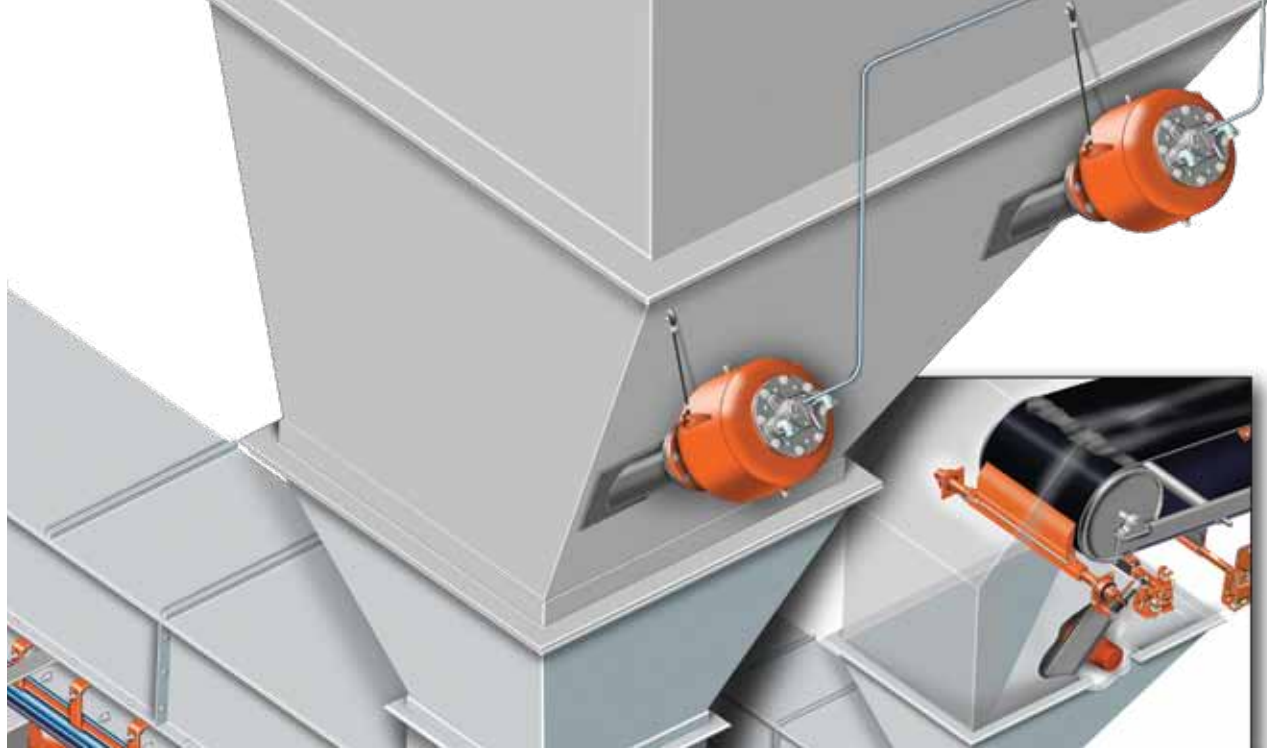
Our SHD and ZHD cleaners offer advanced engineering and formidable construction for effective cleaning, low maintenance and long life under the world's toughest conveying conditions. These massive belt cleaners were built for the widest, fastest, most heavily-loaded belts in the world.

Our cartridge-mount secondary cleaners offer a safe and easy blade change procedure. Their compact secondary design allows installation in close quarters and the narrow profile resists material buildup.





▲ Martin Belt Cleaners remove carryback from conveyors carrying run-of-mine ore or finished concentrate.



FLOW AIDS

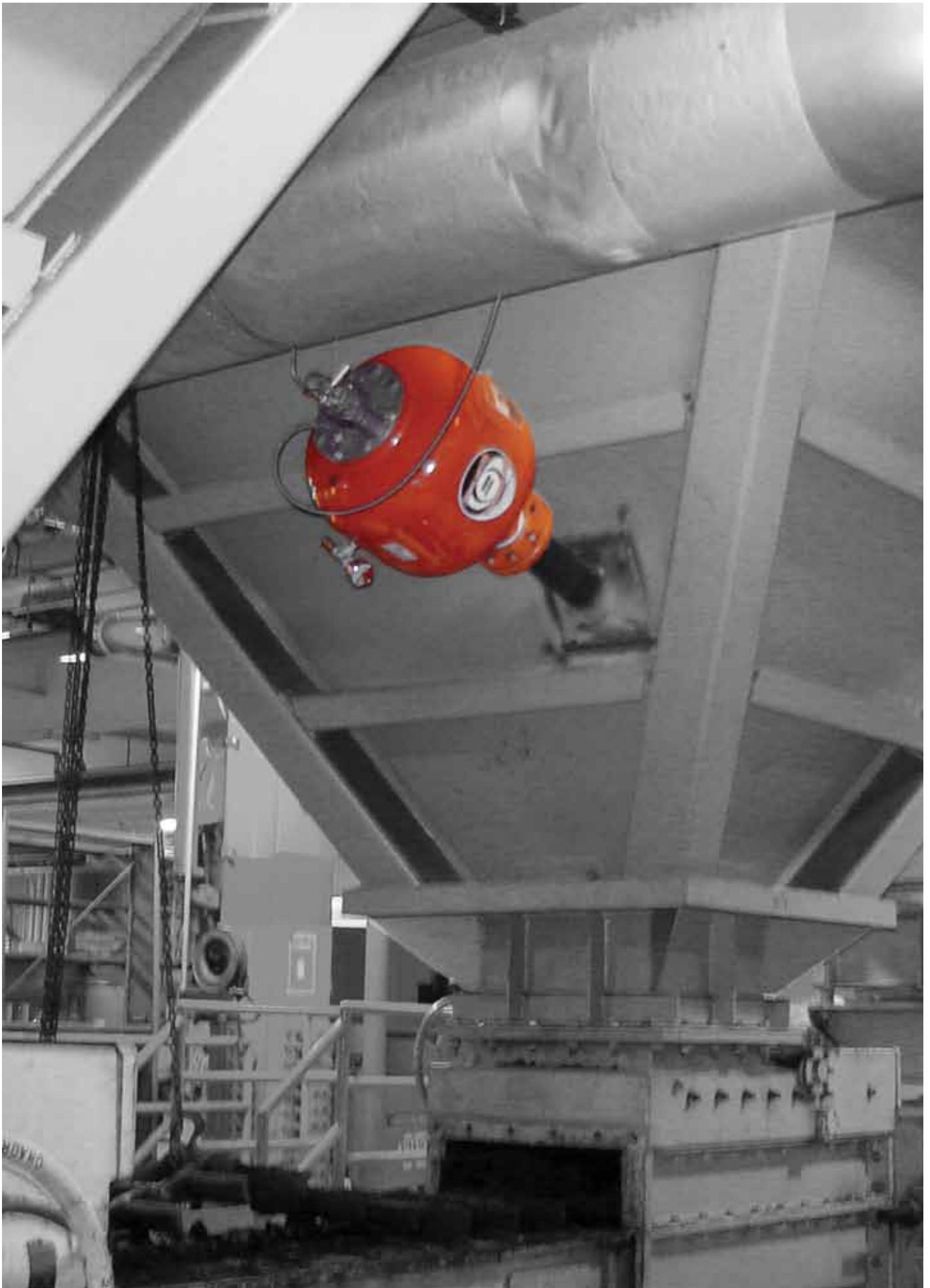
To prevent buildups and blockages in large-scale storage and process vessels, our Air Cannons are the answer. Air cannons use controlled discharges from a reservoir of compressed air to boost material movement. Martin pioneered and patented the air cannon

Martin Flow Aids boost the flow from storage or move material through screens, feeders and chutes.

and today leads the industry in the development and application of these effective, economical-to-operate systems. Using the power of applied vibration, Martin Vibration Technologies energize material, reducing friction against container walls as well as internal particle-to-particle cohesion. The material moves more freely, feeds more effectively, sorts more consistently, compacts more efficiently and handles more easily.

Martin's flow aid technology maintains designed air/material flow to lower operating and maintenance costs, while improving equipment proficiency. The combination of flow aid technologies allows Martin to provide a complete solution to ensure maximum process efficiency.





▲ Martin Flow Aids knock down buildups and eliminate hang-ups.



SERVICES

Martin Engineering offers a comprehensive selection of in-plant services, all focused on improving the handling of bulk materials. These specialized capabilities will impact the productivity of an operation and improve the bottom line.

New construction or retrofit, from belt cleaners to engineered belt-to-belt transfers, **MartinPLUS® Installation** handles the installation of material handling systems and components. Focus and experience

Martin in-plant services focus on improving the handling of bulk materials to improve productivity and the bottom line.

with material handling systems makes certain project completion is on-time, on-spec and on budget.

MartinPLUS® Specialized Maintenance teams take ownership for the maintenance of your belt

conveyors and other systems, with standard packages and customization opportunities to meet your requirements.


MartinPLUS® Process Improvement looks for the opportunities that will make a critical difference in your plant's performance and profitability. By analyzing your material and assessing your system, we can make a critical difference in moving your operation to the next level.







GLOBAL LOCATIONS

 UNITED STATES

 AUSTRALIA

 BRAZIL

 CHINA

 FRANCE


 GERMANY


 INDIA


 INDONESIA

 MEXICO

 PERU

 SPAIN

 SOUTH AFRICA

 TURKEY

 UNITED KINGDOM

Authorized representatives in over 32 additional countries

MARTIN ENGINEERING USA

One Martin Place

Neponset, IL 61345-9766 USA

800-544-2947 or 309-852-2384

info@martin-eng.com

www.martin-eng.com

Part No. L3923-09/12